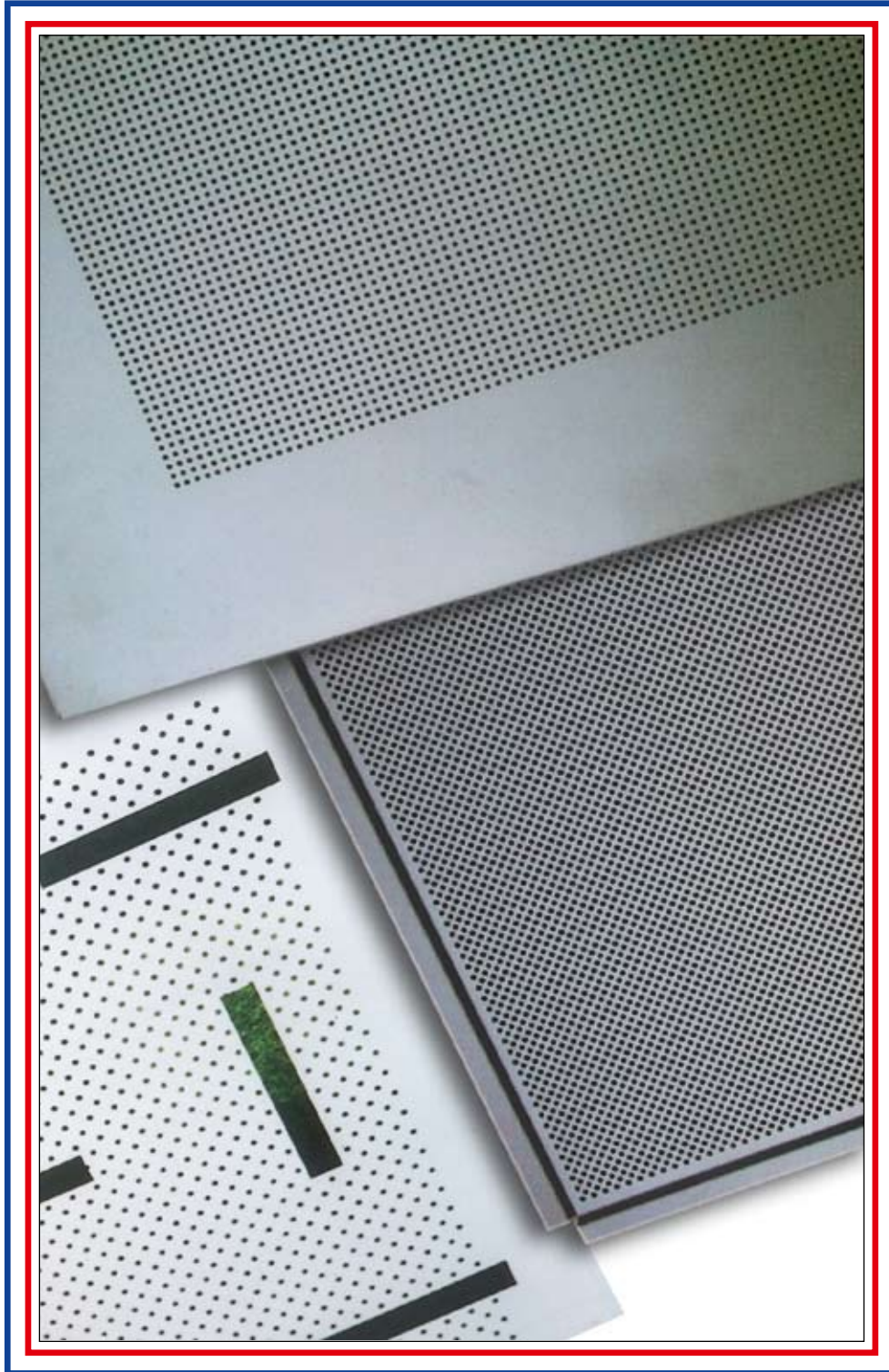


SUSPENDED FALSE CEILINGS

ALUMINIUM AND METAL PANELS



**NUOVO
NEW**

akutron® CLIP-IN

**AVAILABLE ALSO IN PREPAINTED
STEEL THICKNESS MM 0,5**

CEILING PANELS mm. 600x600 WITH SHADOW JOINT GAP CLIP-IN CONCEALED SYSTEM

TECHNICAL SPECIFICATIONS: "akutron" CLIP-IN

False suspended ceilings system composed of: pre-painted aluminium corrosionproof and washable **type METALSCREEN "akutron"** clip-in concealed with shadow joint gap all around the panel, mm. 600x600 thickness mm. 0,5-0,6-0,7, microperforated diagonal holes Ø mm. 2 - Ø mm. 3 total surface, with mm. 25 plain reinforced surface all around the border's panel or central surface mm. 400x400 with mm. 100 plain reinforced surface all around the border's panel (the colour, the thickness and the perforations will be choose by the consultants). Its complete of acoustic "TNT" textile non woven black fabric thermal applied on the back of each panel.

The "akutron" clip-in panels, must be installed on "DOUBLE CONCEALED SUSPENSION SYSTEM" composed of: primary supporting runner **type U2** hot dipped galvanized steel thickness mm. 0,6 across with the galvanized hot dipped spring tee reinforced runner **type 08** to clip the "akutron" panel with a simple soft pressure and metal union snaps **type 35** to obtain a perfect shadow joint gap. The "DOUBLE CONCEALED SUSPENSION SYSTEM" its composed without use other kind of parts without screws, bracket or make holes.

It is only suspended with hanging rigid wire Ø mm. 4 with metal adjustment double snap **type 23/D**, perimetrical wall angles "L" section mm. 24x24 with connector joint pre-painted aluminium of same colour of the "akutron" panels.

AVAILABLE ALSO IN PREPAINTED THERMOSETTING STEEL THICKNESS mm. 0,5

PLAIN

PERFORATED
TOTAL SURFACE
Holes Ø mm. 3 - 10%
Plain border mm. 25

MICRO-
PERFORATED
TOTAL SURFACE
Holes Ø mm. 2 - 20%
Plain border mm. 25

PERFORATED
CENTRAL
SURFACE
(mm. 400x400)
Holes Ø mm. 3 - 5%
Plain border mm. 100

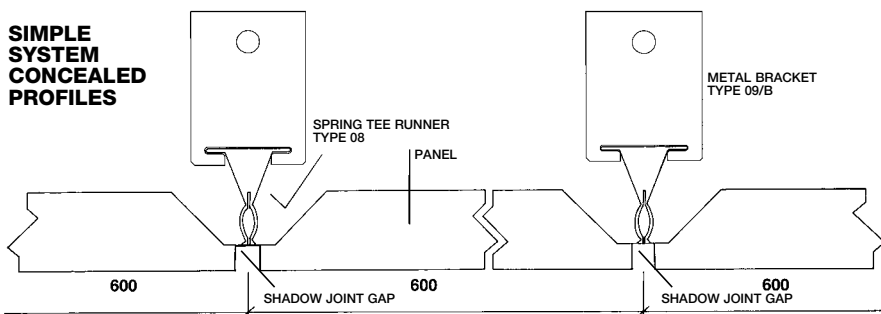
MICRO-
PERFORATED
CENTRAL SURFACE
(mm. 400x400)
Holes Ø mm. 2 - 10%
Plain border mm. 100

.....**akutron**® CLIP-IN.....

CEILING PANELS MM 600x600 WITH SHADOW JOINT GAP CLIP-IN CONCEALED SYSTEM

INSTALLATION GUIDELINE:

**SIMPLE
SYSTEM
CONCEALED
PROFILES**

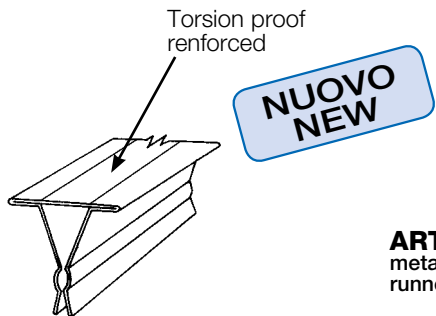


The panels are suspended from a spring tee reinforced profile and simply clipped into place. The spring tee reinforced profiles must keep a distance of approximately 600 mm. between. The suspension is created by a collection of hangers which, by means of adjustable clips. The different profiles manufactured for this model. Allow the consultant to choose from a variety of surrounding finishes. Each single panel can easily be removed, making inspections possible and full access to the ceiling cavity without it being necessary to remove the entire ceiling system already installed.

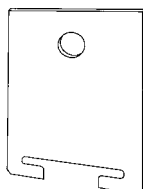
**WASHABLE • DUSTPROOF • RESISTANT TO DAMPNES
AND ATMOSPHERIC ELEMENTS • CORROSIONPROOF
SCRATCH PROOF**



TECHNICAL INSTRUCTIONS TO INSTALL THE CONCEALED SYSTEM

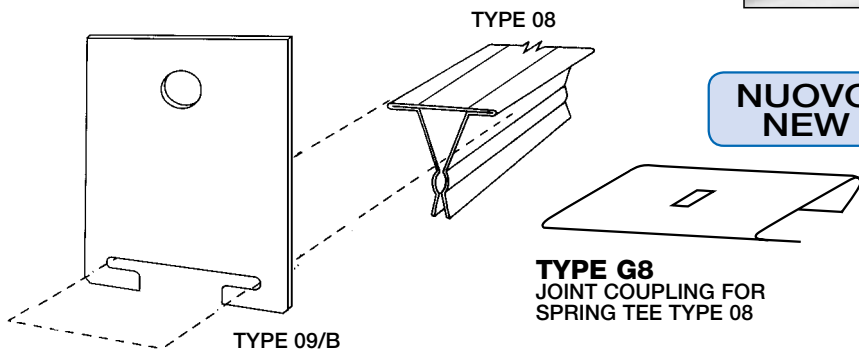


ART. 09/B
metal bracket adjustment
runner for type 08

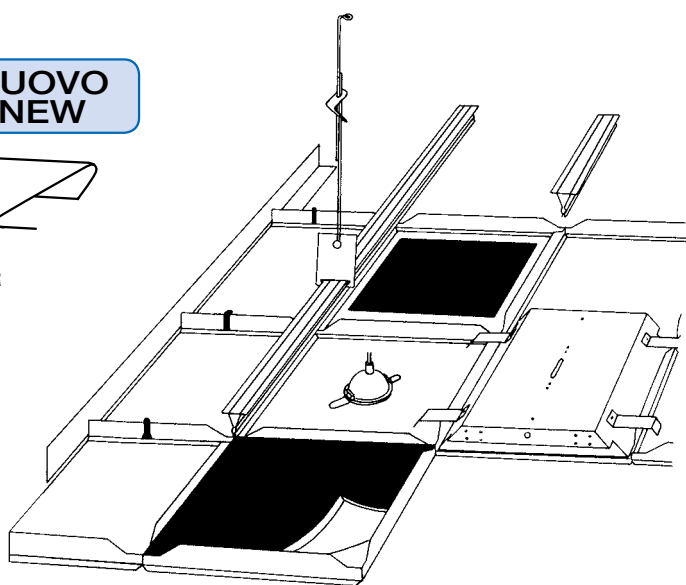


TYPE 08
SPRING TEE RUNNER STEEL
GALVANIZED
LENGHT MM 4000 REINFORCED
TORSIONPROOF

DETAILS OF THE SHADOW JOINT GAP WITH THE CLIP SYSTEM AROUND THE PANEL



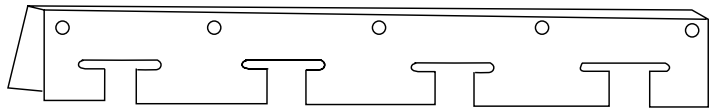
TYPE G8
JOINT COUPLING FOR
SPRING TEE TYPE 08



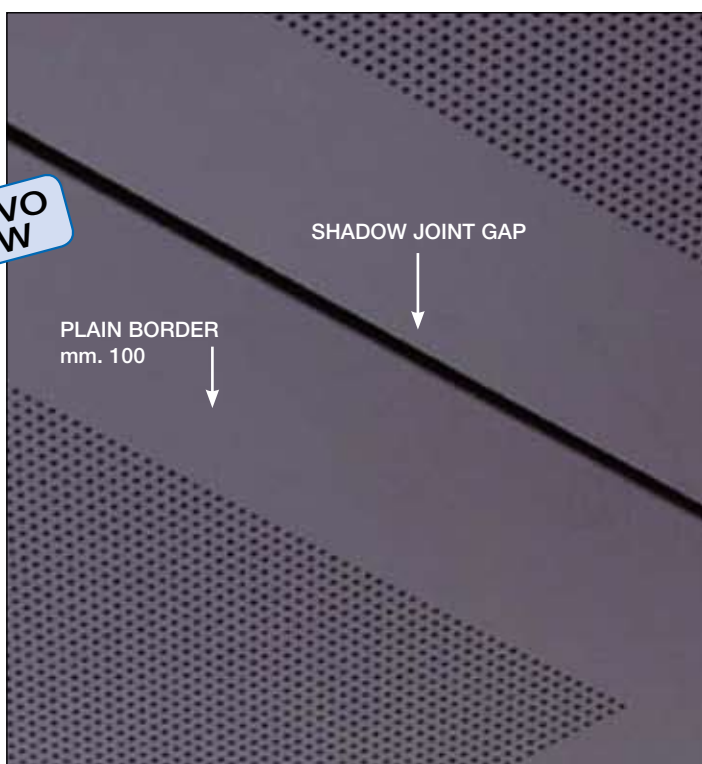
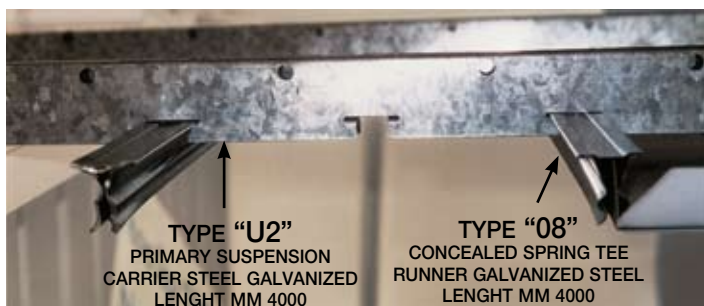
INSTALLATION "DOUBLE SYSTEM" FOR PANELS akutron[®] CONCEALED CLIP-IN



- PERFECT STABILITY AND PLANARITY OF THE FALSE CEILINGS SYSTEM - SAFETY
 - TORSION PROOF - HEAVY WEIGHTS
 - SUSPENSION HANGERS AT mm. 1200
- NUOVO NEW



TYPE U2 MAIN SUPPORTING RUNNER

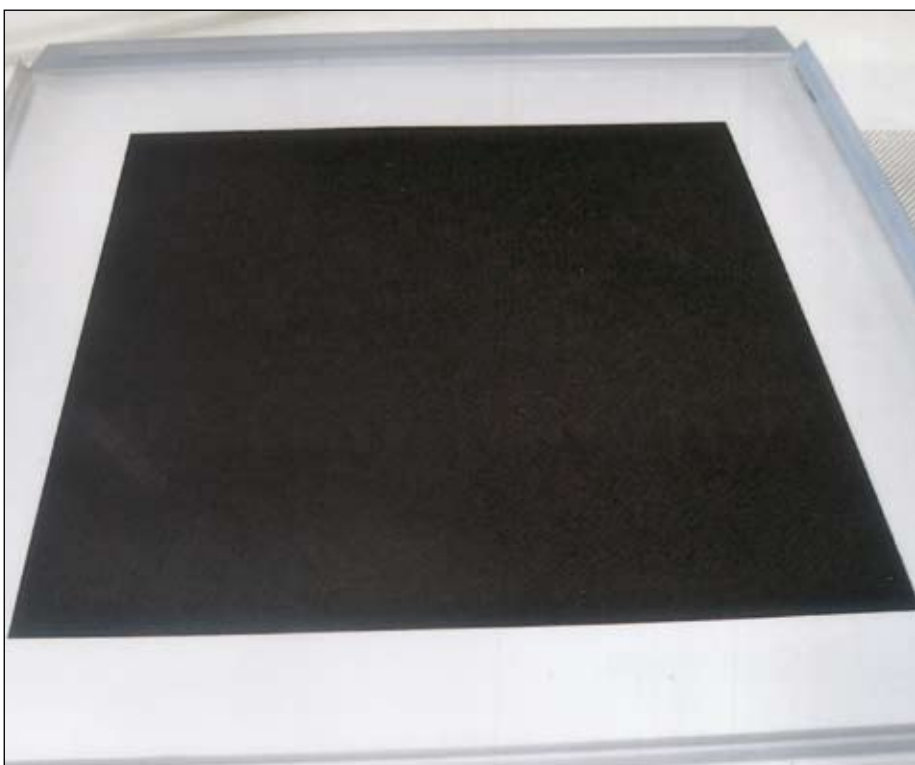


NUOVO
NEW

akutron[®] CLIP-IN



“TNT” ACOUSTICAL NON WOVEN TEXTILE



“TNT” ACOUSTIC SOUND PROOFING NON WOVEN FIBRE FABRIC

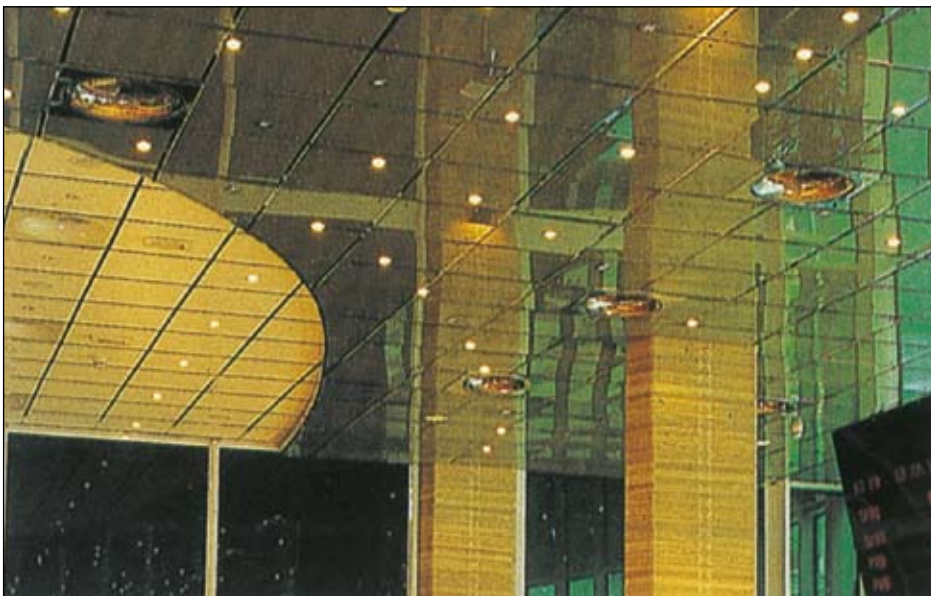
“TNT” is a new microfibre with non-vitreous fabric warping which METALSCREEN applies to the back of every single panel and strip in the ceiling panelling system using a computerised apparatus with a thermal monitoring function.

“TNT” has extremely powerful noise absorption properties, does not release noxious fibres into the air and does not alter or decompose over time.

“TNT” is supplied already affixed to the panel, preventing additional installation, carriage and storage costs which usually apply to the supply of insulating materials.

METALSCREEN ceiling panelling with “TNT” and its thermal adhesive backing guarantee the presence of an insulating material even after inspections, maintenance and repositioning of each individual panel in the ceiling panelling.

CEILING PANELS mm. 600x600 WITH SHADOW JOINT GAP CLIP-IN CONCEALED SYSTEM



CONCEALED CLIP-IN PANELS PANELS Q6060

TECHNICAL SPECIFICATION: "Q6060" CLIP-IN

False suspended ceilings system composed of: pre-painted aluminium corrosionproof and washable **type METALSCREEN "Q6060"** clip-in concealed with bevelled closed joints, mm. 600x600 thickness mm. 0,5-0,6-0,7, microperforated diagonal holes Ø mm. 2 - Ø mm. 3 total surface, with mm. 25 plain reinforced surface all around the border's panel or central surface mm. 400x400 with mm. 100 plain reinforced surface all around the border's panel (the colour, the thickness and the perforations will be choose by the consultants).

Its complete of acoustic "TNT" textile non woven black fabric thermal applied on the back of each panel.

The "Q6060" clip-in panels, must be installed on "DOUBLE CONCEALED SUSPENSION SYSTEM" composed of: primary supporting runner **type U2** hot dipped galvanized steel thickness mm. 0,6 across with the galvanized hot dipped spring tee reinforced runner **type 08** to clip the "Q6060" panel with a simple soft pressure and metal union snaps **type 35** to obtain a perfect shadow joint gap.

The "DOUBLE CONCEALED SUSPENSION SYSTEM" its composed without use other kind of parts without screws, bracket or make holes. It is only suspended with hanging rigid wire Ø mm. 4 with metal adjustment double snap **type 23/D**, perimetrical wall angles "L" section mm. 24x24 with connector joint pre-painted aluminium of same colour of the "Q6060" panels.

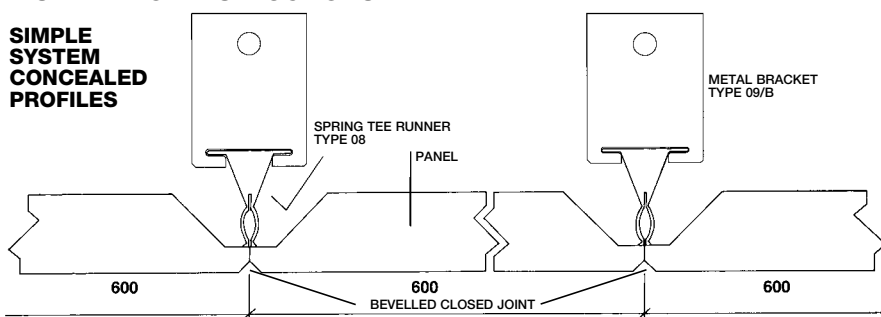
AVAILABLE ALSO IN PREPAINTED THERMOSETTING STEEL THICKNESS mm. 0,5

Q6060[®] CLIP-IN

CONCEALED CLIP-IN PANELS PANELS Q6060

INSTALLATION INSTRUCTIONS:

SIMPLE SYSTEM CONCEALED PROFILES



The panels are suspended from a spring tee reinforced profile and simply clipped into place. The spring tee reinforced profiles must keep a distance of approximately 600 mm. between. The suspension is created by a collection of hangers which, by means of adjustable clips. The different profiles manufactured for this model. Allow the consultant to choose from a variety of surrounding finishes. Each single panel can easily be removed, making inspections possible and full access to the ceiling cavity without it being necessary to remove the entire ceiling system already installed.

**WASHABLE • DUST-PROOF • RESISTANT TO DAMPNES
AND ATMOSPHERIC ELEMENTS • CORROSION PROOF
SCRATCH PROOF**



PLAIN

PERFORATED
TOTAL SURFACE
Holes Ø mm. 3 - 10%
Plain border mm. 25

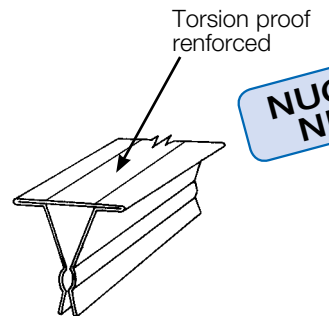
MICRO-
PERFORATED
TOTAL SURFACE
Holes Ø mm. 2 - 20%
Plain border mm. 25

PERFORATED
CENTRAL
SURFACE
(mm. 400x400)
Holes Ø mm. 3 - 5%
Plain border mm. 100

MICRO-
PERFORATED
CENTRAL SURFACE
(mm. 400x400)
Holes Ø mm. 2 - 10%
Plain border mm. 100

TECHNICAL INSTRUCTIONS TO INSTALL THE CONCEALED SYSTEM

BEVELLED EDGES

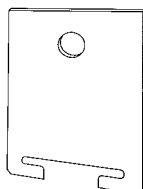


**NUOVO
NEW**

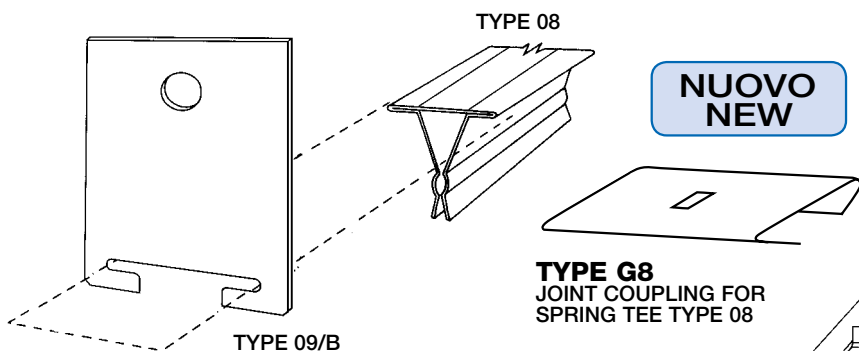


TYPE 35
UNION ROYAL
METAL SNAP

TYPE 09/B
adjustment runner metal
bracket

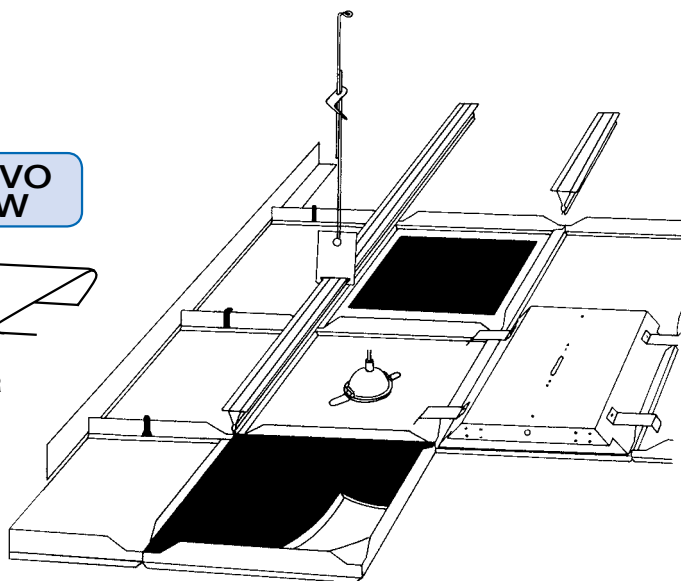


TYPE 08
SPRING TEE RUNNER STEEL
GALVANIZED
LENGHT MM 4000 REINFORCED
TORSIONPROOF



**NUOVO
NEW**

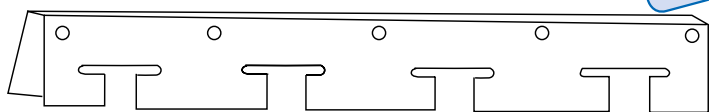
TYPE G8
JOINT COUPLING FOR
SPRING TEE TYPE 08



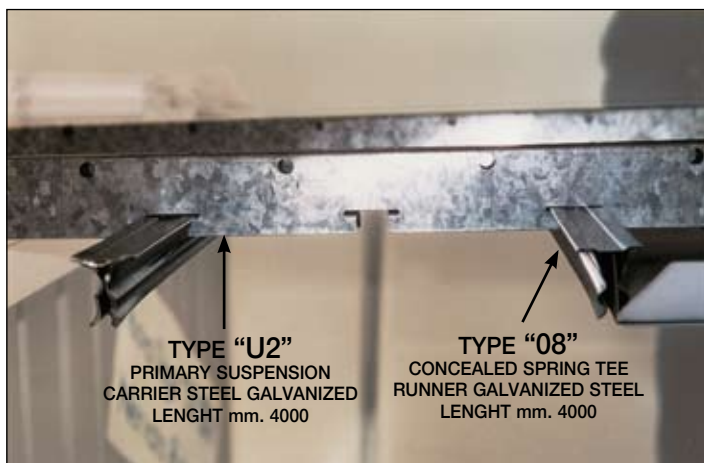
INSTALLATION "DOUBLE SYSTEM" FOR PANELS Q6060 CONCEALED CLIP-IN

- PERFECT STABILITY AND PLANARITY OF THE FALSE CEILINGS SYSTEM - SAFETY
- TORSION PROOF - HEAVY WEIGHTS
- QUICK INSTALLATION
- SUSPENSION HANGERS AT mm. 1200

**NUOVO
NEW**



TYPE U2 MAIN SUPPORTING RUNNER



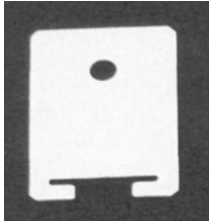
TYPE "U2"
PRIMARY SUSPENSION
CARRIER STEEL GALVANIZED
LENGHT mm. 4000

TYPE "08"
CONCEALED SPRING TEE
RUNNER GALVANIZED STEEL
LENGHT mm. 4000



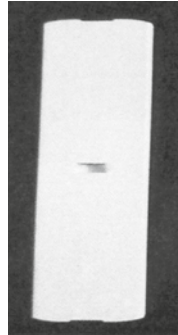
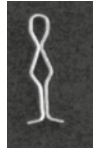
ACCESSORIES FOR PANELS

Q6060® - akutron® CONCEALED CLIP-IN "SIMPLE SYSTEM"

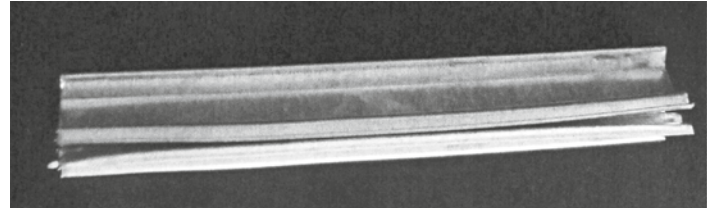


TYPE 09/B
adjustment runner
metal bracket

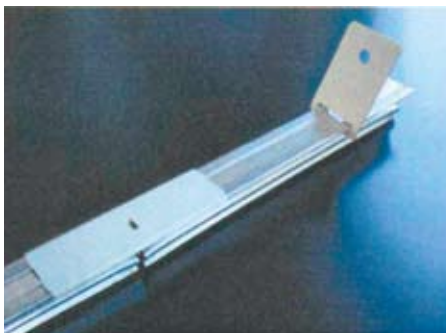
TYPE 35
UNION ROYAL
METAL SNAP



TYPE G8
METAL JOINT COUPLING
FOR SPRING TEE TYPE 08

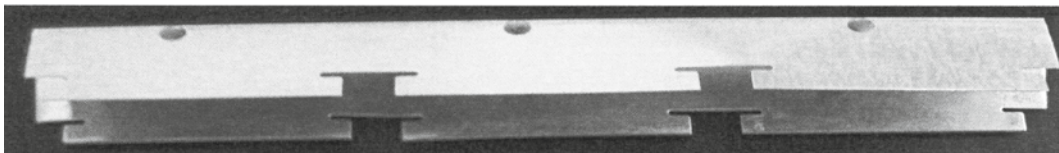


TYPE 08
SPRING TEE RUNNER REINFORCED TORSIONPROOF STEEL
GALVANIZED LENGTH MM. 4000



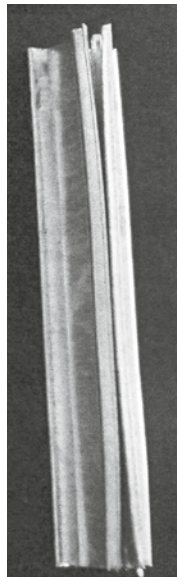
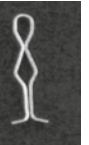
ACCESSORIES FOR PANELS

Q6060® - akutron® CONCEALED CLIP-IN "DOUBLE SYSTEM"



TYPE U2
MAIN SUPPORTING RUNNER LENGTH MM. 4000

TYPE 35
UNION ROYAL
METAL SNAP



TYPE 08
SPRING TEE RUNNER
REINFORCED
TORSIONPROOF STEEL
GALVANIZED LENGTH
MM. 4000



TYPE G8
METAL JOINT
COUPLING
FOR SPRING TEE
TYPE 08

